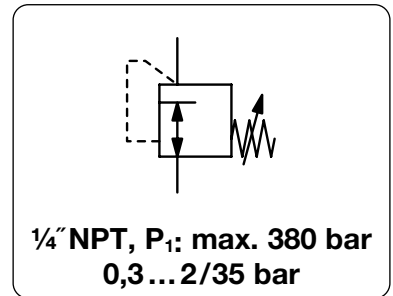


BRASS HIGH PRESSURE REGULATOR UP TO 380 BAR

RHB

Description	Diaphragm-operated high pressure regulator made of brass.		
Media	compressed air or non-corrosive gases		
Supply pressure	max. 380 bar		
Adjustment	by T-handle with locknut		
Relieving function	non-relieving		
Gauge port	¼" NPT on both sides of the body, screw plugs supplied		
Mounting position	any		
Temperature range	0 °C to 106 °C / 32 °F to 223 °F, for appropriately conditioned compressed air down to -40 °C / -40 °F		
Material	Body: brass	O-rings: NBR/Buna-N	Valve seat: nylon, optionally PTFE
	Diaphragm: stainless steel 302		



Dimensions			K _v -value (m ³ /h)	Flow rate		Connection thread NPT	Pressure range bar	Order number
A	B	C		m ³ /h*1	l/min*1			

High pressure regulator 380 bar			made of brass, with T-handle non-relieving, nylon seat, NBR/Buna-N			RHB		
85	156	60	0.09	240	4000	¼" NPT	0.3 ... 2	RHB-02A
							0.3 ... 4	RHB-02B
							0.3 ... 8	RHB-02C
							0.3 ... 10	RHB-02D
							0.3 ... 15	RHB-02E
85	177	60					0.3 ... 35	RHB-02F



RHB-02C

Special options, add the appropriate letter

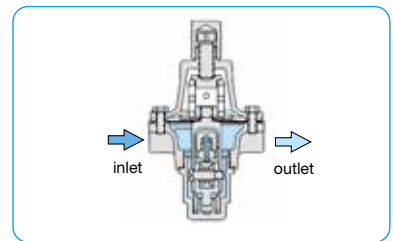
nickel-plated	outer surface	RHB-02 . X25
tamper-proof cap	made of brass, total height 150 mm or 172 mm	RHB-02 . T
PTFE valve seat *2	nickel plated surface	RHB-02 . X52



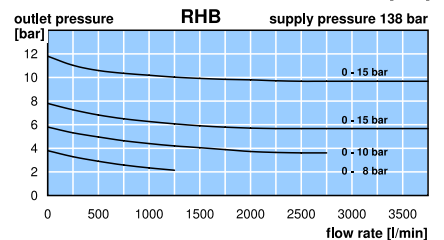
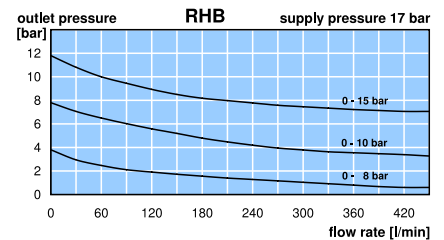
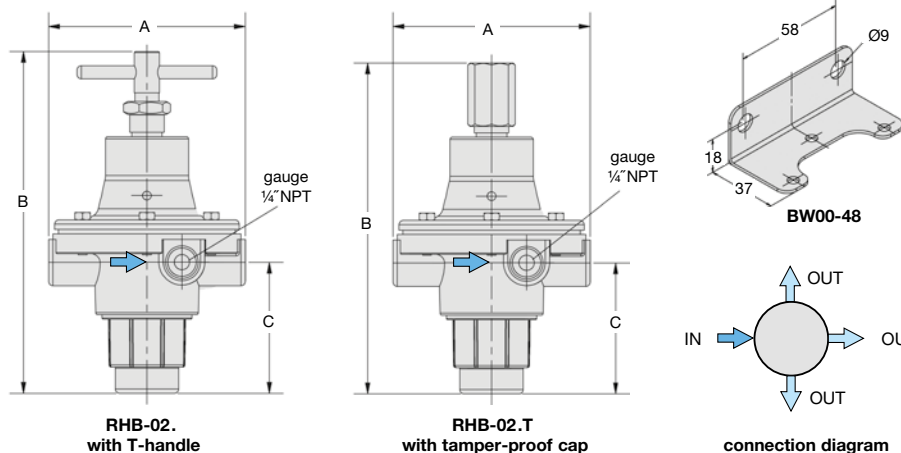
RHB-02DT

Accessories, enclosed

mounting bracket	made of steel	BW00-48
-------------------------	---------------	---------



cross-section



*1 P₁ = 138 bar, P₂ = 10 bar und Δp = 3 bar

*2 1.5 ... 35 bar pressure range for RHB-02F

Stainless steel version: see chapter for stainless steel devices

PDF CAD
www.aircom.net



Order example:
RHB-02A

High pressure

